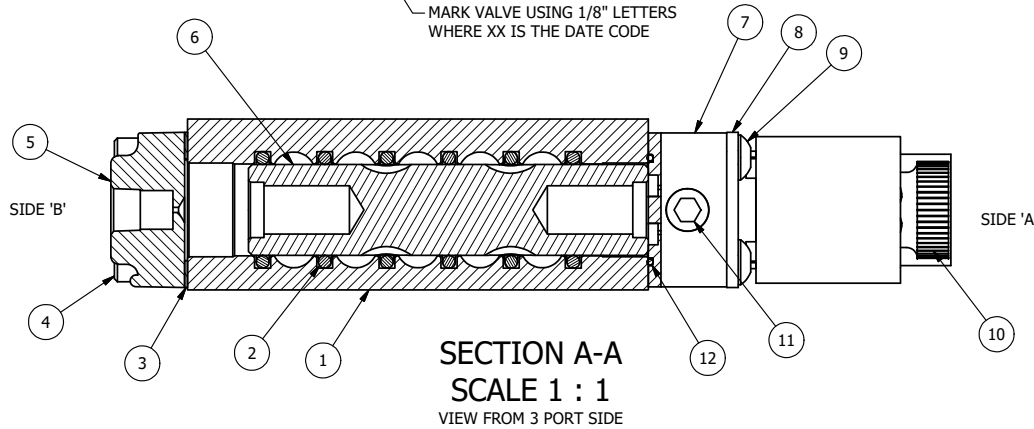
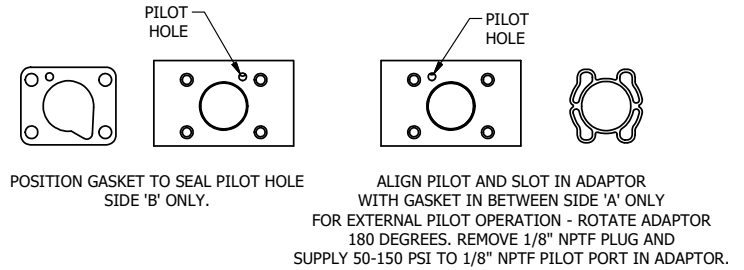


3/8" CORD GRIP DIN CAP INCLUDED  
FORM A, ACC. TO EN 175301-803,  
ISO 4400

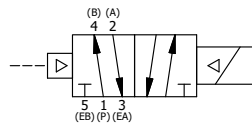
AAA PRODUCTS INT'L  
ZESR2AL 24VDC  
XX  
WWW.AAAPRODUCTS.COM

MARK VALVE USING 1/8" LETTERS  
WHERE XX IS THE DATE CODE



|     |     |          |  |
|-----|-----|----------|--|
| 12  | 1   | EMG3     | GASKET - END MOUNT SOLENOID, BUNA-N, 1/4" & 3/8" VALVES                      |
| 11  | 1   | V-19-SS  | PLUG, SOCKET PIPE 1/8"-27 NPT, 7/8 TAPER, PLAIN, FLUSH SEAL, STAINLESS STEEL |
| 10  | 1   | V-567W   | E SERIES SINTERED BRONZE MUFFLER, DUST EXCLUDER, V-613 LOCK WASHER           |
| 9   | 4   | V-584-SS | SCREW, 10-24 X 1, BUTTON HEAD SOCKET CAP, 18-8 OR 303 SS                     |
| 8   | 1   | SEC3-7   | PLATE, RE-INFORCEMENT, SOLENOID, STAMPED, 304 STAINLESS                      |
| 7   | 1   | V-564    | SYSTEM 8 INTRINSICALLY SAFE SOLENOID OPERATOR.                               |
| 6   | 1   | S3R      | SPOOL - SOLID, STANDARD, 2 POS, CLSD CTR, 1/4" & 3/8" VALVE                  |
| 5   | 1   | PEC3-11  | END CAP, PILOT, STAINLESS STEEL, 1/4" & 3/8" VALVE                           |
| 4   | 4   | V-38-SS  | SCREW, 10-24 X 3/4, SOCKET HEAD CAP, 18-8 SS                                 |
| 3   | 1   | ECG3     | GASKET - END CAP, 1/4" & 3/8" VALVE  |
| 2   | 6   | V-39     | O-RING, VITON, STD BODY, 1/4" & 3/8" VALVES                                  |
| 1   | 1   | ZB2-1    | BODY - BRASS, UPPER PILOTS (BUTTON BLEEDER), 1/4" SIDE PORT VALVE            |
| FLG | QTY | PART NO  | DESCRIPTION  |

NOTES:  
1) ALWAYS GIVE VALVE MODEL AND PART NUMBER WHEN ORDERING PARTS.



|   |  |  |                 |
|---|--|--|-----------------|
| LIMITS ON DIMENSIONS<br>UNLESS<br>OTHERWISE SPECIFIED   | 2-PL DECIMAL ± .01<br>3-PL DECIMAL ± .005<br>FRACTIONAL ± 1/64<br>ANGULAR ± 1/2° | <b>AAA PRODUCTS INTERNATIONAL</b><br>7114 Harry Hines Blvd<br>Dallas, TX 75235 |                 |
| DRAWN: RMckenna   | DATE: 5/1/2016   |  | CHECKED: KWaite |
| SCALE: NONE   | SHEET: 1 OF 1  | RELEASED: HWomack  | DATE: 5/1/2016  |
| TITLE:<br>1/4" SIDE PORT, SNGL SOL, 2 POS,<br>FRCTN POS, PILOT RTRN, BRASS & SS,<br>INTR SAFE, 24VDC, DUST EXCLDR |  | PART NO.:<br>ZESR2AL 24VDC   | REV.:           |

THE INFORMATION CONTAINED WITHIN THIS DOCUMENT IS PROPRIETARY TO AAA PRODUCTS AND MAY NOT BE DISCLOSED WITHOUT PRIOR WRITTEN CONSENT